



BEOSOUND BOLLARD LOUDSPEAKER | BOHBLR | BOHBLS

The Bang & Olufsen | Origin Acoustics generation Beosound Bollard Loudspeaker is a single unit that houses both a subwoofer and a mid/high frequency satellite in the same enclosure. The speaker is designed to allow the subwoofer section to be buried in the ground leaving only the pillar section exposed. The sound from both the sub and satellite emanate from the slots in the upper portion of the pillar section creating a uniform, full frequency sonic experience. Completely unique in concept and design, the Beosound Bollard Loudspeaker tackles the challenge of producing bass response from individual outdoor speakers in a very attractive aesthetic. While large subwoofers are often buried in the ground, the requirement to have them somewhat close to the mid/high frequency sats can cause some design challenges.



360 DEGREES OF SOUND

The Beosound Bollard Loudspeaker also utilizes a 4½" down-firing driver with a 360° sound dispersion from the enclosure. The omni-directional pattern allows for both low and high frequencies to cover the same amount of area, promising virtually no difference in sound quality - regardless of your orientation to the sound system!

SLEEK WITH SLEEVES

We use durable fluorocarbon coatings to finish our highquality aluminum sleeves. This method delivers resistance to moisture, heat, and the sun while maintaining the aluminum's natural beauty. Both sleeve styles are available in three colors: bronze, black, or natural (silver).

FULL COVERAGE

The Beosound Bollard Loudspeaker includes an easy to bury integrated subwoofer. This 6.5" woofer, which ports just below the acoustic lens, adds significant bass for its relatively small size. Now, the real magic comes alive when you combine two or more Bollard Loudspeakers in one area. This network of low-end drivers produces consistent deep bass at a manageable volume all around your yard or garden.

ENDLESS SYSTEM EXPANSION


A 70V transformer with 30W, 50W and an 8 ohm tap makes the Beosound Bollard Loudspeaker a perfect choice regardless of the size of space and number of speakers needed.



The Beosound Bollard is available in:


- Round (BOHBLR) or Square (BOHBLS) Sleeve
- 360° Sound Dispersion

ROUND SLEEVE (BOHBLR):



Sleeve Color	Model Name	Sound Dispersion
Bronze	BOHBLRZ	360°
Black	BOHBLRB	360°
Natural	BOHBLRN	360°

SQUARE SLEEVE (BOHBLS):



Sleeve Color	Model Name	Sound Dispersion
Bronze	BOHBLSZ	360°
Black	BOHBLSB	360°
Natural	BOHBLSN	360°

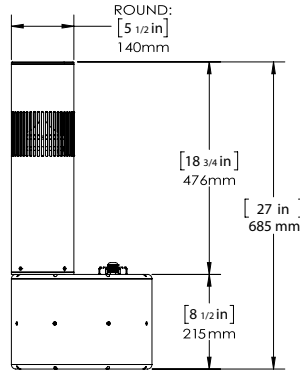
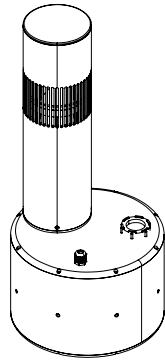
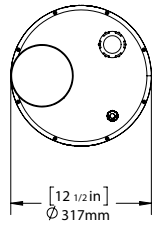
SPECIFICATIONS

MODEL	BOHBLRZ BOHBLRB BOHBLRN (Round) BOHBLSZ BOHBLSB BOHBLSN (Square)
Woofer	6 ½" (165mm) Polypropylene
Midrange	4 ½" (115mm) Aluminum
Tweeter	1" (25mm) PEI
Frequency Response	48HZ - 20KHZ
Power RMS	60W
Power Peak	100W
Impedance	6 Ω (Sub) / 4 Ω (Sat)
Transformer Taps	70V-50W/25W
Round Sleeve	Ø 5 ½" (140mm) ● 18 ¾" (476mm) Height
Square Sleeve	5 ¾" (146 x 146mm) ● 18 ½" (471mm) Height
Subwoofer Enclosure	Ø 12 ½" (317mm) ● 8 ¾" (212mm) Depth
Enclosure Material	Poly Composite / Weather Resistant Enclosure

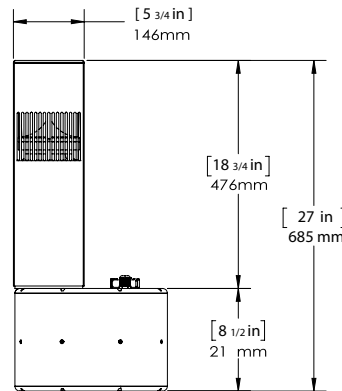
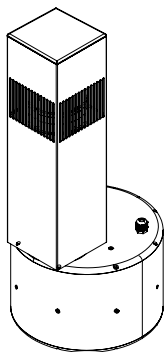
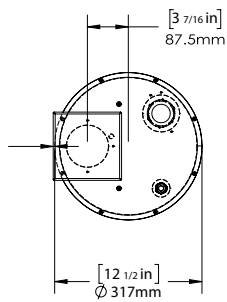
Please visit docs.originacoustics.com or scan the QR code using your smart device for the most up to date specifications and use instructions for this product. Products may only be purchased through an authorized integration partner.



LINE DRAWINGS



BOHBLR



BOHBLS

*All product specifications are subject to change.
Please refer to docs.originacoustics.com for the latest information.

Please visit docs.originacoustics.com or scan the QR code using your smart device for the most up to date specifications and use instructions for this product. Products may only be purchased through an authorized integration partner.